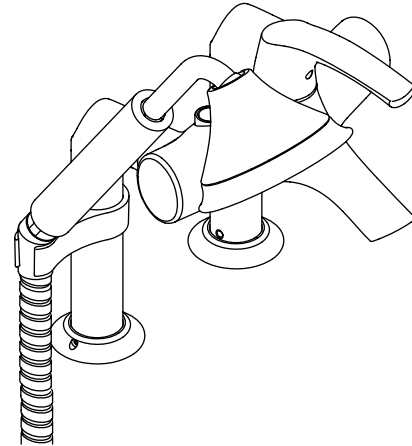


**ROMAN BATH FILLER
K-18486**

Features

- Metal construction
- Push-button diverter
- Single-handle control
- Lever handle
- 8" (20.3 cm) length spout
- 7 gpm (26.5 lpm) flow rate at 45 psi (310.27 kPa)
- Includes single-function handshower with 60" (152.4 cm) length hose
- For bath deck-mount installations
- Escutcheon plates
- Optional riser-mount installation when used with K-18492 riser tubes
- Complements the Symbol™ Suite



Codes/Standards Applicable

Specified model meets or exceeds the following:

- ASME A112.18.1
- CSA B125
- IAPMO/UPC

Colors/Finishes

- CP: Polished Chrome
- Other: Refer to Price Book for additional colors/finishes

Specified Model

Model	Description	Color/Finish	
K-18486	Roman bath filler	<input type="checkbox"/> CP	<input type="checkbox"/> Other _____
Recommended Accessories			
K-18492	Riser tubes	<input type="checkbox"/> CP	<input type="checkbox"/> Other _____
K-11344	Cable drain	<input type="checkbox"/> CP	<input type="checkbox"/> Other _____

Product Specification

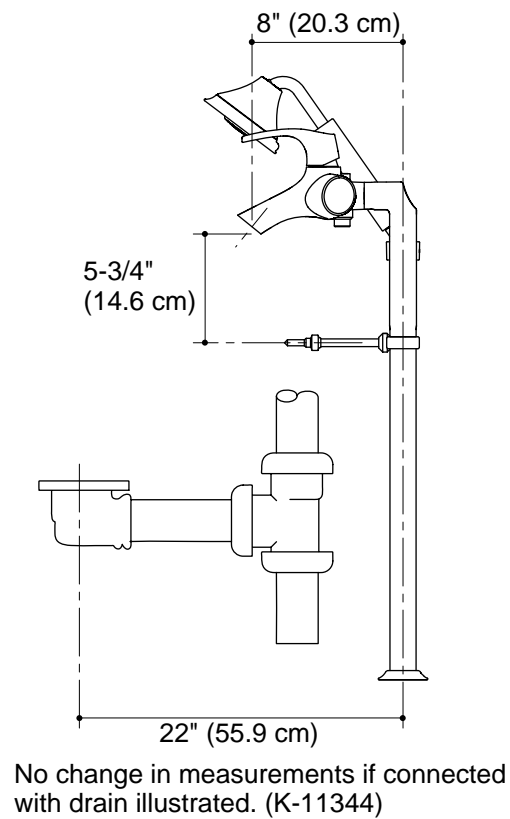
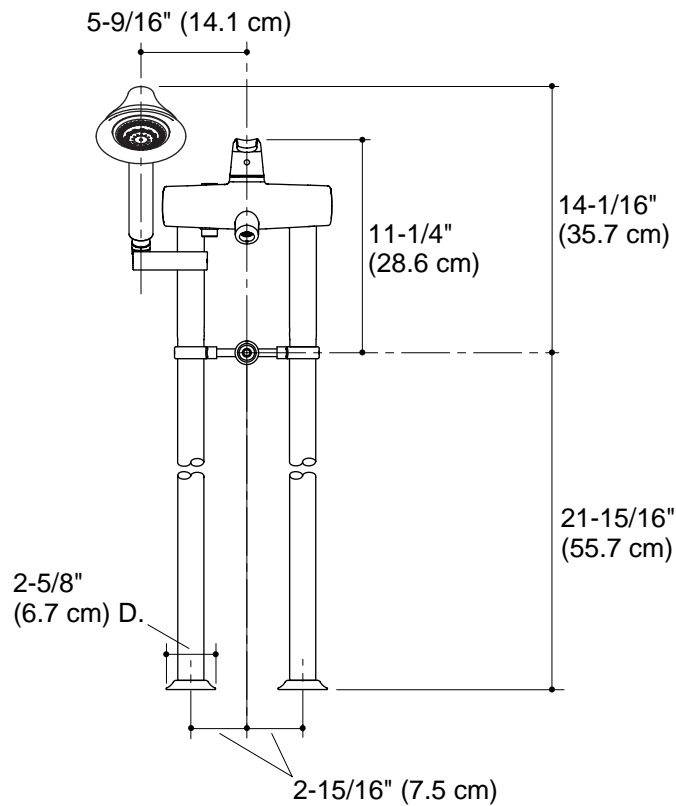
Single-handle control Roman bath filler shall be made of metal construction. Product shall feature a push-button diverter, lever handle, and 8" (20.3 cm) length spout. Product shall include escutcheon plates and single-function handshower with 60" (152.4 cm) length hose. Product shall accommodate a bath deck-mount installation or an optional riser-mount installation when used with K-18492 riser tubes. Product shall have a 7 gpm (26.5 lpm) flow rate at 45 psi (310.27 kPa). Product shall complement the Symbol™ Suite. Product shall be Kohler Model K-____-____.

SYMBOL™

Installation Notes

Install this product according to the installation guide.

The distance from the centerline of the K-11344 bath drain to the riser tube centerline is 22" (56.9 cm).



Product Diagram